



POWER ACOUSTIK

OWNER'S MANUAL

3-WAY STEREO
ELECTRONIC CROSSOVER NETWORK

MODEL NO.: C-3184

BEFORE USING THE UNIT, PLEASE READ THIS MANUAL
THOROUGHLY AND RETAIN IT FOR FUTURE REFERENCE

INTRODUCTION

This C-3184 is an Electronic Crossover Network with which you can install various types of multi-channel amplifier systems in a car.

This C-3184 is 3-channel crossover system (Sub-woofer, Mid-range, High-pass). Before designing and installing your system, please read this manual carefully, so that you can set up the system that practically suits you.

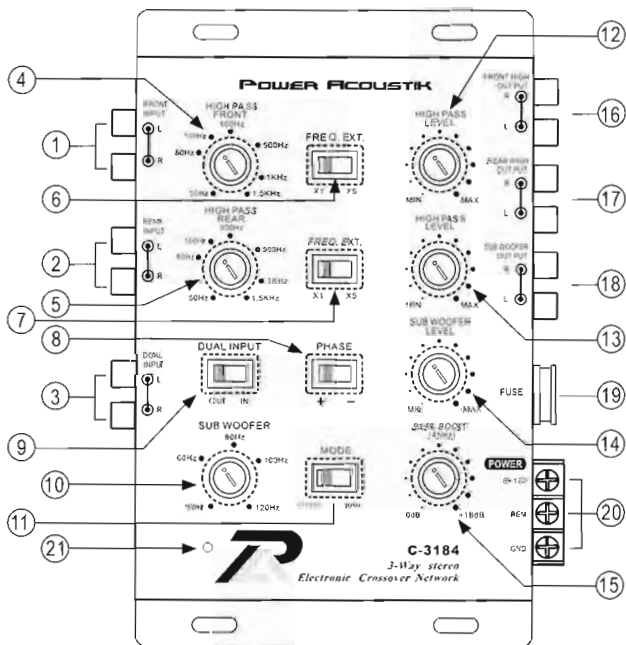
Getting the C-3184 in the center of your multi amplifier car stereo system, your car stereo system will provide you with the ultimate sound reproduction.

FEATURES & SPECIFICATIONS

3-Way Stereo Electronic Crossover Network

- * Active 18dB Crossover
- * Stereo / Mono Selector On Low Pass
- * Phase Inversion Switch (0 or 180 degrees)
- * Dual Input On / Off Switch
- * Variable Crossover Frequencies with Frequency Extender (x1, x5)
- * Bass Boost @ 45Hz (0~18dB) Variable
- * Low Pass: 50Hz to 120Hz Variable
- * High Pass Rear: 50Hz to 1.5KHz Variable
- * High Pass Front: 50Hz to 1.5KHz Variable
- * S/N Ratio: 100dB
- * Channel Separation: 70dB
- * Dimensions: 6.2" (W) x 8.5" (L) x 1.2" (H)

FUNCTIONS.



1. FRONT CHANNEL INPUT PORT

Input front signal from sound source into here via RCA cable.

2. REAR CHANNEL INPUT PORT

Input rear signal from sound source into here via RCA cable.

3. DUAL IN PORT

When the Dual Input Switch at "OUT" position: The Dual Input Port input sub-woofer signal from sound source into here via RCA cable.

When the Dual Input Switch at "IN" position: The Dual Input Port provide full range pre-amp output. This feature allows connection of two or more C-3184 modules to create a system with unlimited number of amplifier.

4. FRONT CHANNEL HIGH PASS FREQUENCY SELECTOR

5. REAR CHANNEL HIGH PASS FREQUENCY SELECTOR

6. FREQUENCY EXTENDER (FRONT)

This switch changes crossover points from 50Hz-1.5KHz to 250Hz-7.5KHz for high frequency front channel drivers.

7. FREQUENCY EXTENDER (REAR)

This switch changes crossover points from 50Hz-1.5KHz to 250Hz-7.5KHz for high frequency rear channel drivers.

8. PHASE SHIFTER SWITCH

Allows you to change the phase of your sub-woofer from 0 to 180 degrees to help compensate for timing differences between drivers.

9. DUAL INPUT SWITCH

Switch to "IN" position, allows you to hookup a sound source with just one set of pre-amp RCA cables. It automatically transfers the signal to both the FRONT and REAR channels.

Switch to "OUT" position: The Dual Input Port input sub-woofer signal from sound source into here via RCA cable.

10. SUBWOOFER LOW PASS FREQUENCY SELECTOR

11. STEREO / MONO SWITCH

Switch to "MONO" position, the sub-woofer output changes from stereo to mono, thus facilitation single subwoofer installations.

12. FRONT CHANNEL HIGH PASS LEVEL CONTROLS

13. REAR CHANNEL HIGH PASS LEVEL CONTROLS

14. SUBWOOFER LOW PASS LEVEL CONTROLS

15. BASS BOOST LEVEL CONTROL (45Hz)

16. FRONT HIGH OUTPUT PORT

Connect the RCA cable to the front channel amplifier input.

17. REAR HIGH OUTPUT PORT

Connect the RCA cable to the Rear channel amplifier input.

18. SUBWOOFER OUTPUT PORT

Connect the RCA cable to the subwoofer channel amplifier input.

19. FUSE

20. POWER CONNECTION PORT

21. POWER ON INDICATOR

The LED light up when the unit is powered on.

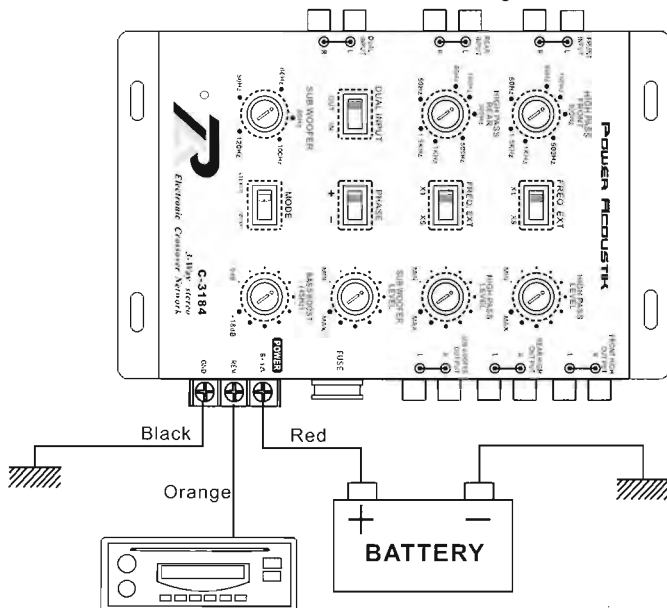
ELECTRONIC CONNECTIONS & WIRING

* Power connection

B+ (12V) : Connect a red wire to the car battery or other power source.

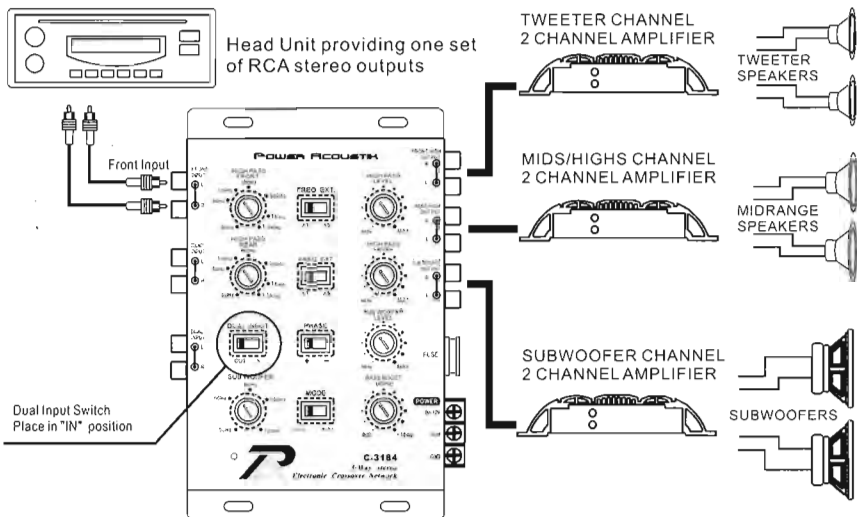
REMOTE : Connect an orange wire to remote activating (12V DC) wire of car stereo or equalizer.

GND : Connect a black wire to the car chassis for ground connection.

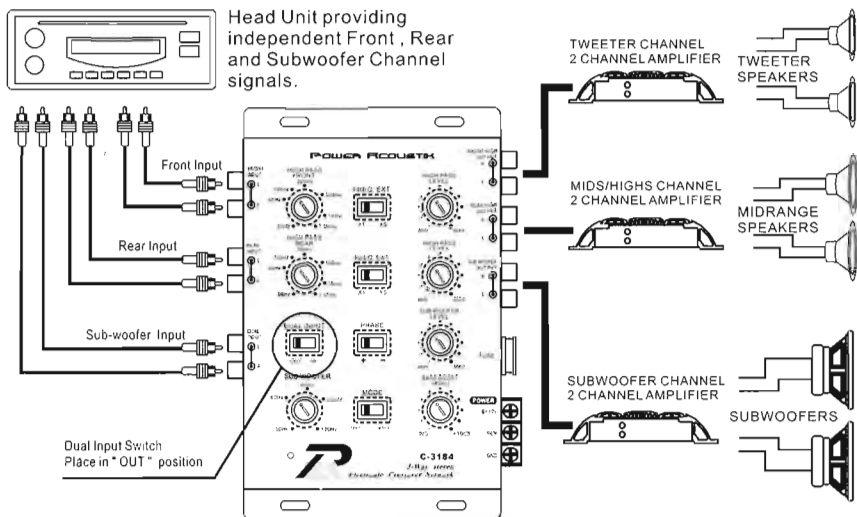


* Signal connection

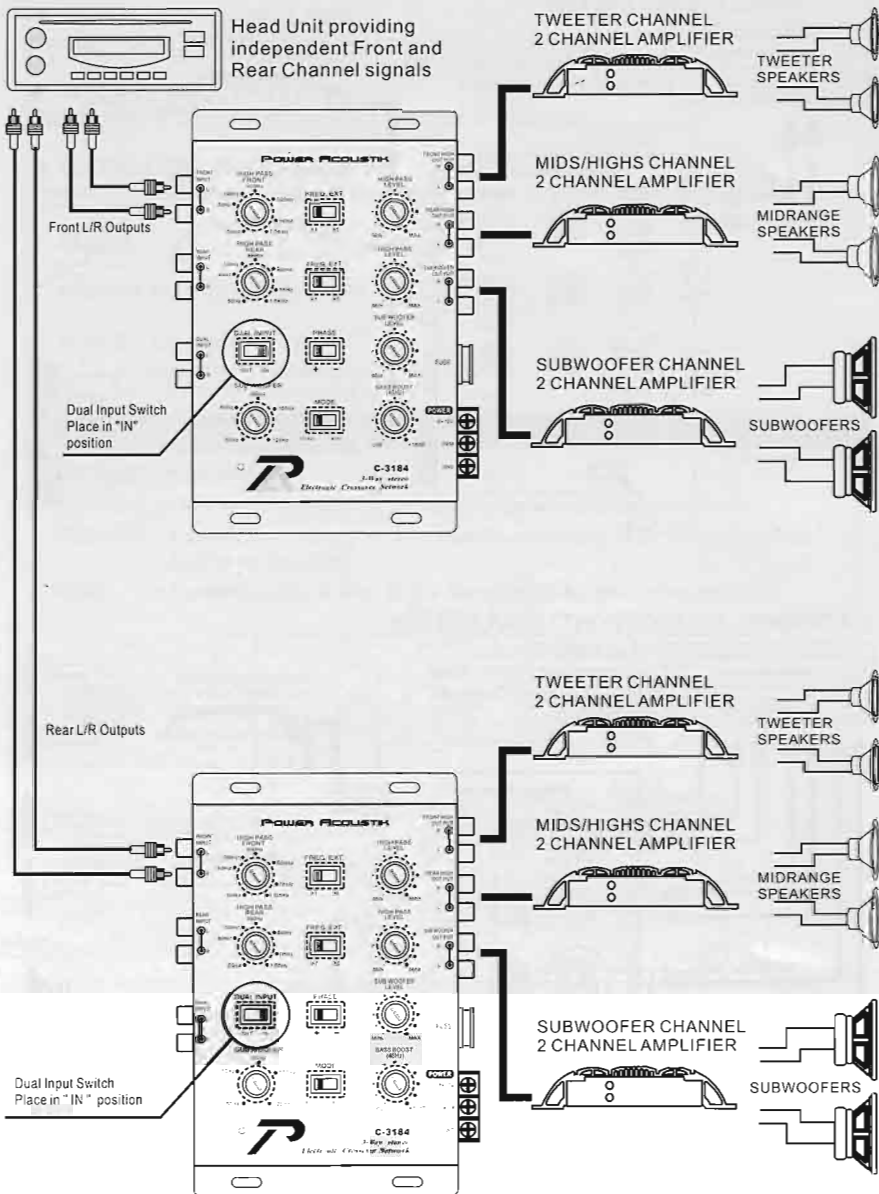
1. 2-CHANNEL STEREO SYSTEM



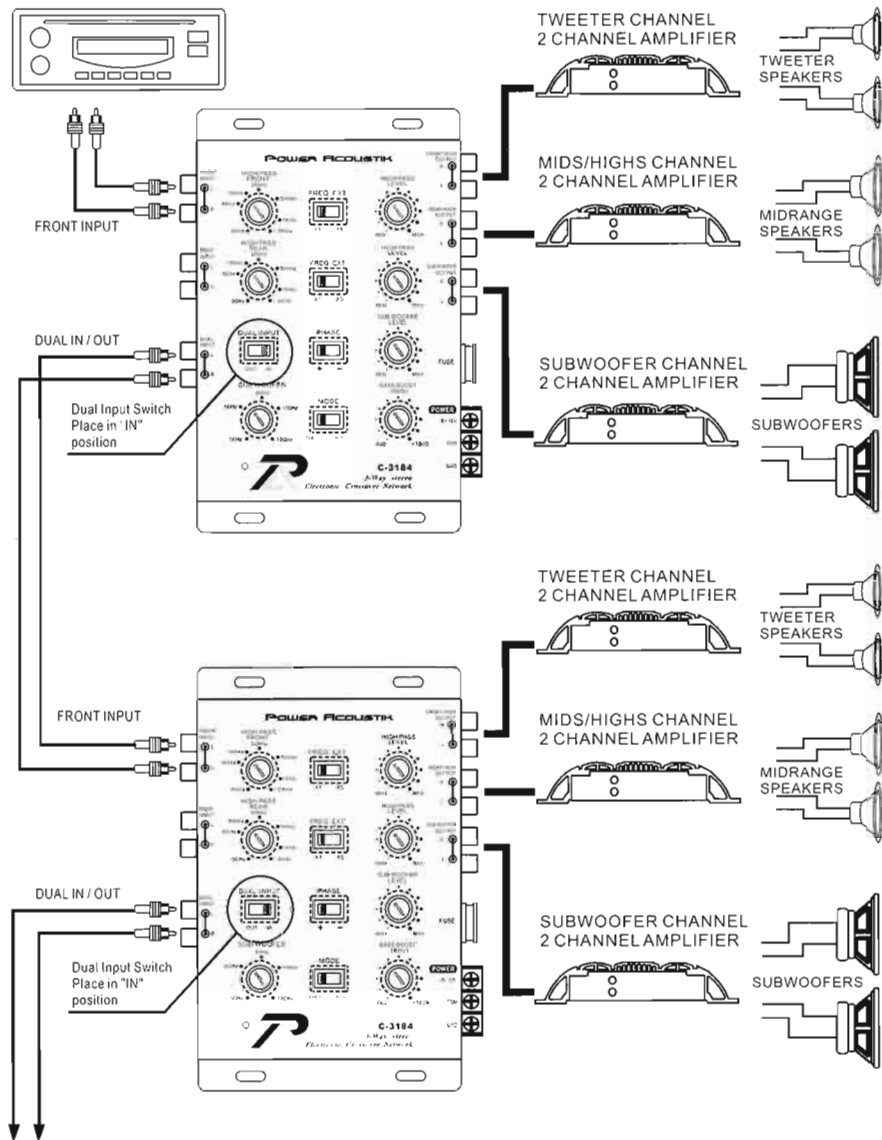
2. 4-CHANNEL STEREO FRONT / REAR SYSTEM



3. 4-CHANNEL STEREO FRONT / REAR / DUAL CROSSOVER SYSTEM



4. 2-CHANNEL MULTIPLE AMPLIFIER SYSTEM



TROUBLE SHOOTING GUIDE

1. NOT WORKING
 - * Check all fuses.
 - * Check all power (positive, remote) wire connections.
 - * Check that ground wire is properly connected.
2. LED POWER ON INDICATOR NOT GOING ON:
 - * Same as sign 1 remedy.
3. SOUND DISTORTION AT LOW VOLUME LEVEL
 - * Output level not set correctly.
4. LEVEL OF SOUND IS LOW:
 - * Check the RCA patch cords for loose or misconnected cables.
5. A WHINING SOUND CAN BE HEARD THROUGH THE SPEAKERS AT LOW VOLUME LEVEL WITH RUNNING ENGINE:
 - * Check the power wire (red) with good connection directly to the battery and ground point must make good contact with chassis ground.

INSTALLATION

TAPPING SCREW

SPRING WASHER

PLAIN WASHER

